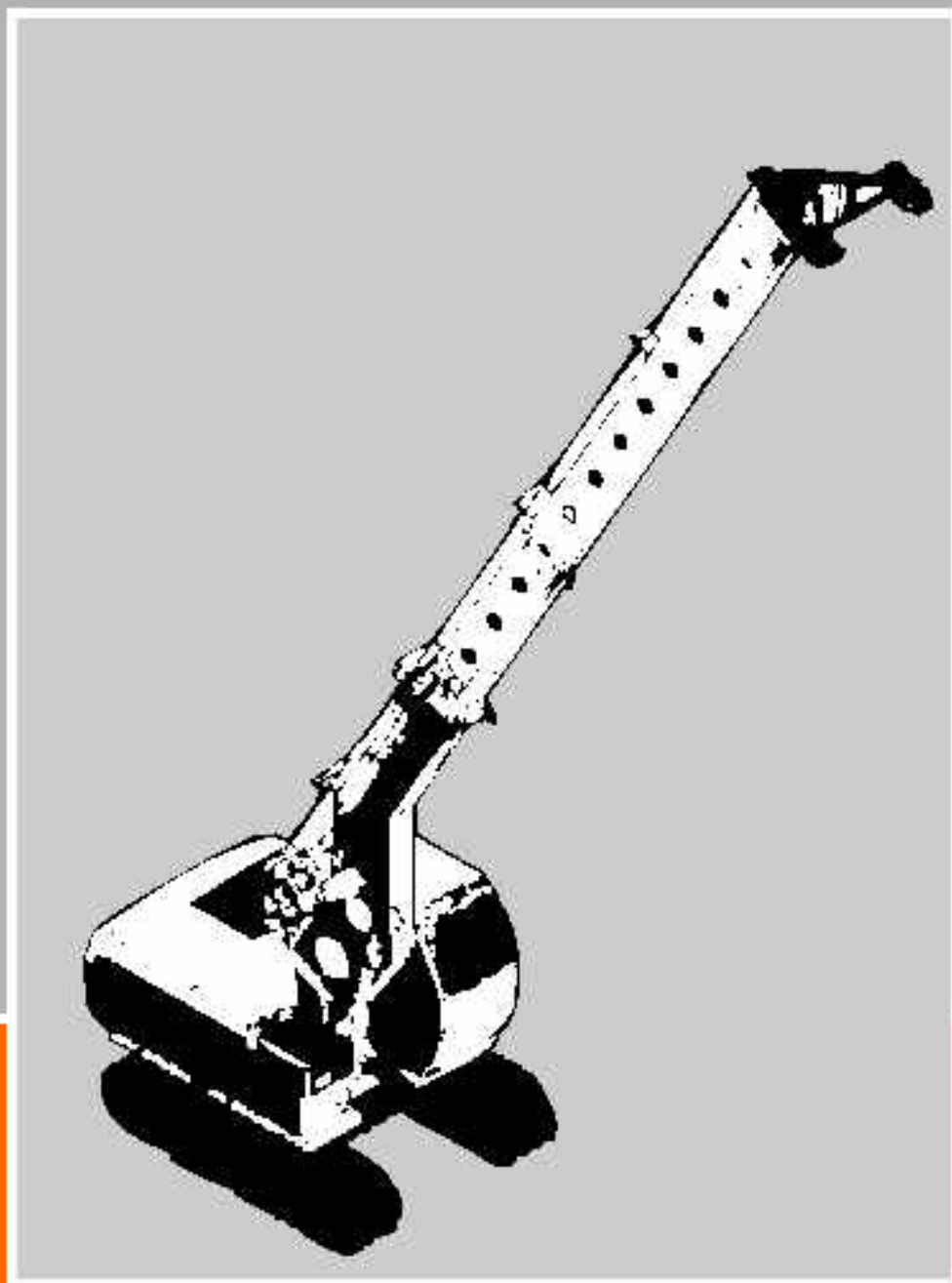


# BC110



compact crawler crane

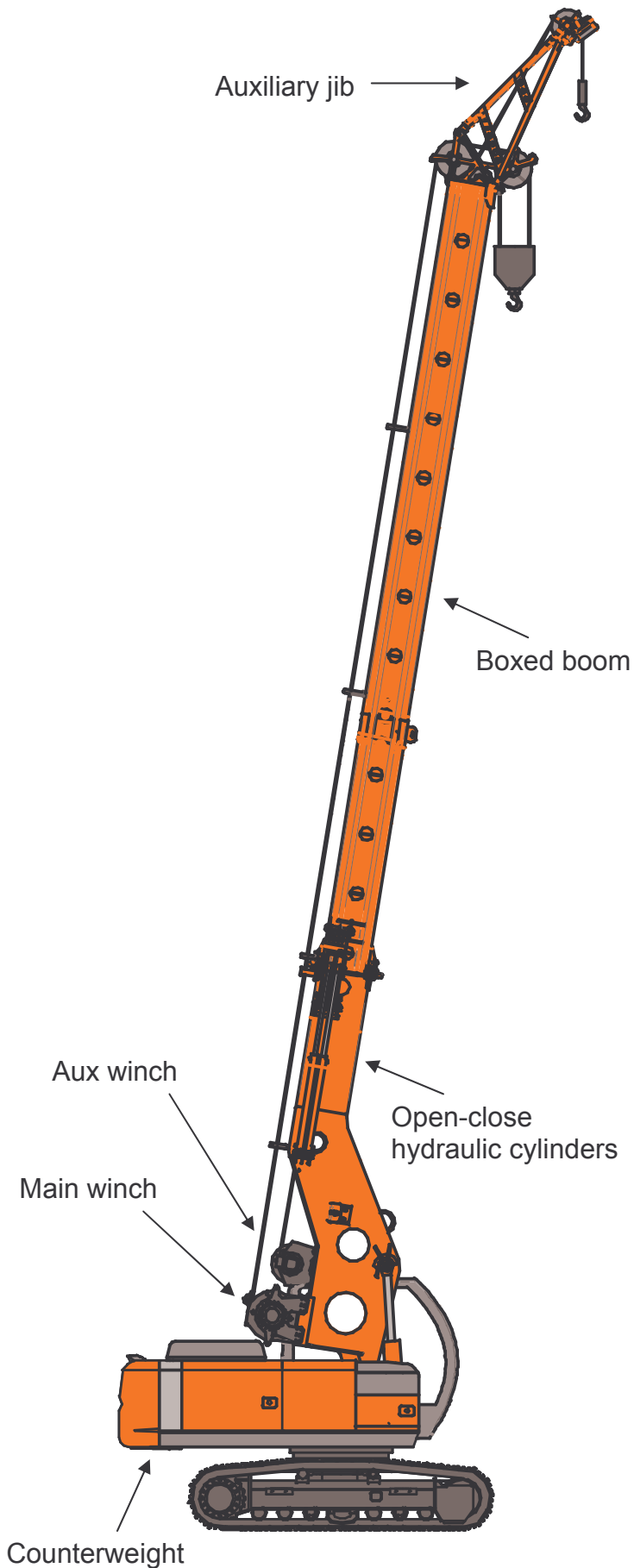


## DRILLING EQUIPMENT



# GEAX BC 110

## Compact crawler crane



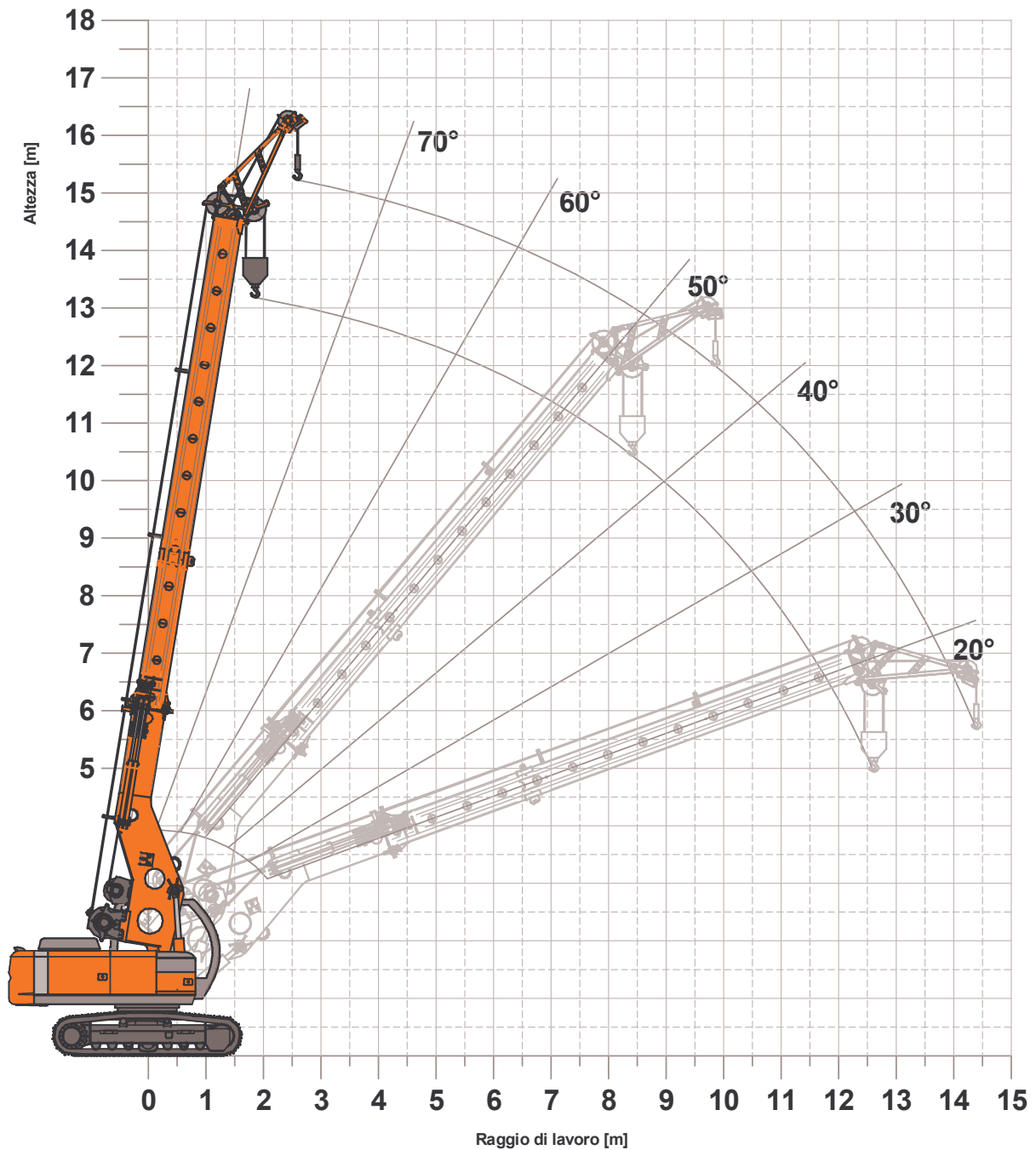
- New innovative patented architecture
- Special steel boxed boom
- Super fast set-up time
- Hydraulically self-erecting
- Load moment limiter
- Auxiliary jib
- Mechanical and hydraulic fittings for auxiliary inputs
- High manoeuvrability
- Easy to transport

### TECHNICAL SPECIFICATIONS

Operating weight	kg	17700
Ground pressure	Kg/cm <sup>2</sup>	0.61
<b>BASE HITACHI Zaxis 110 LC-3</b>		
Engine	ISUZU AJ-4JJ1X	
Power	kw(hp)	69(93)
Undercarriage length	mm	3340
Undercarriage width	mm	2490
Shoe width	mm	500
<b>HYDRAULIC SYSTEM</b>		
Main pumps	l/min	2x111
Remote control pump	l/min	1x33.6
Hydraulic pressure	bar	320
Hydraulic fitting Single and double effect	l/min	111
<b>WINCHES</b>		
Main winch line pull	Kn	65
Main winch rope Ø	mm	16
Aux. winch line pull	Kn	35
Aux. winch rope Ø	mm	14
<b>TRANSPORT</b>		
Length	mm	9230
Width	mm	2490
Height	mm	2870

# GEAX BC 110

## Working radius



The rated loads are in metric Tons valid for 360° degrees of swing

### Main winch

Radius [m]	1.8	2.0	2.2	2.5	2.7	3.0	3.5	4.0	4.5	5.0	5.5	6.0	6.5	7.0	7.5	8.0	8.5	9.0	9.5	10.0	10.5	11.0	11.5	12.0	12.5	12.6
Lifting cap. [t]	12.1	12.1	12.1	10.5	9.12	8.80	7.29	6.20	5.50	4.85	4.35	3.90	3.50	3.20	2.86	2.67	2.40	2.15	1.97	1.82	1.66	1.55	1.42	1.31	1.21	1.19

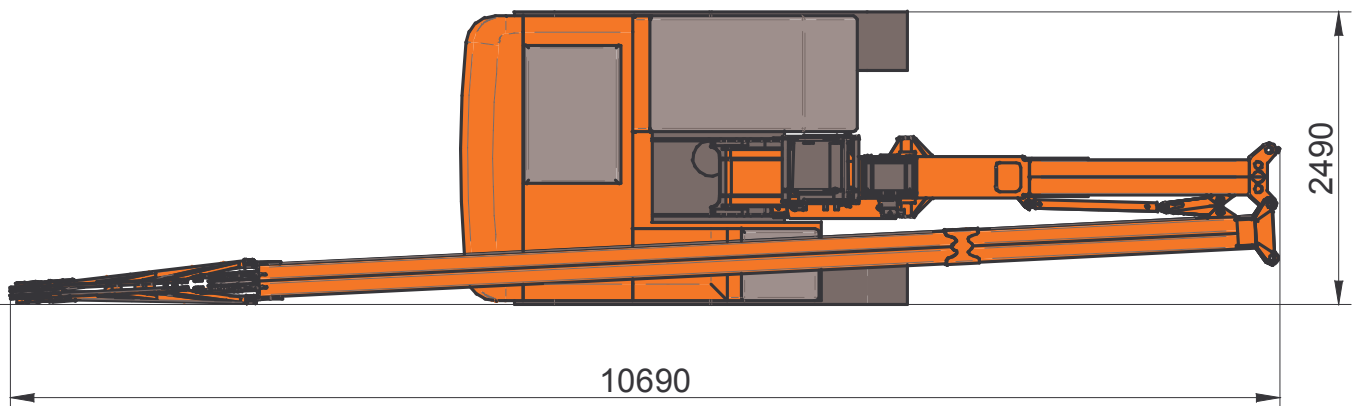
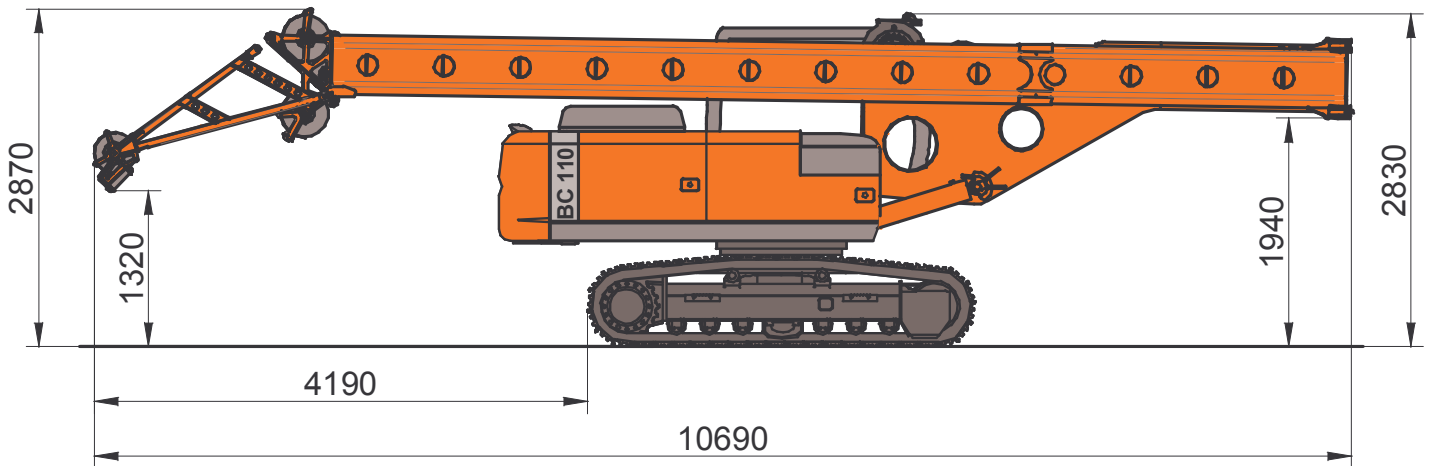
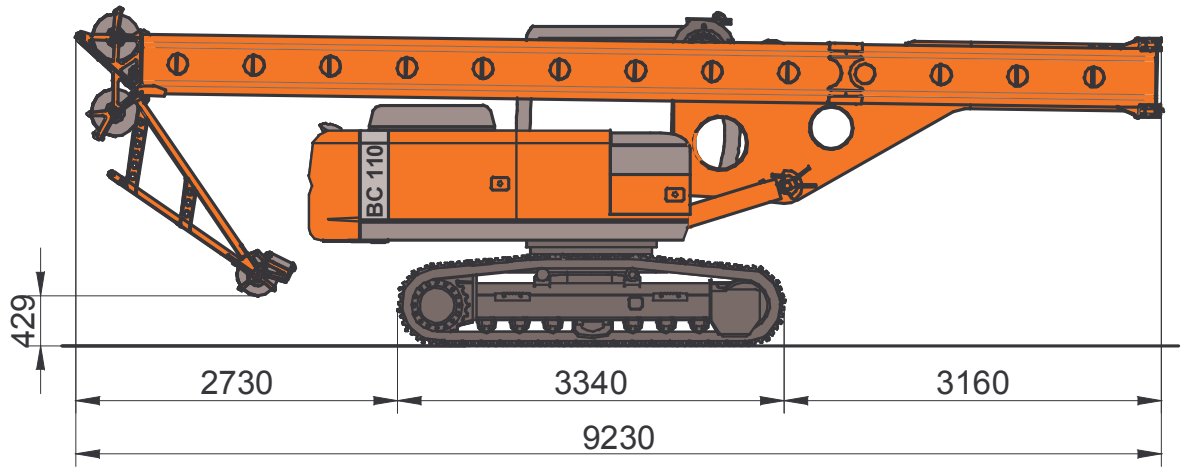
### Auxiliary winch

Radius [m]	2.6	2.8	3.0	3.5	4.0	4.5	5.0	5.5	6.0	6.5	7.0	7.5	8.0	8.5	9.0	9.5	10.0	10.5	11.0	11.5	12.0	12.5	13.0	13.5	14.0	14.5
Lifting cap. [t]	3.6	3.6	3.6	3.6	3.62	3.62	3.62	3.62	3.62	3.62	3.35	3.00	2.78	2.54	2.30	2.13	1.98	1.82	1.69	1.57	1.45	1.35	1.27	1.17	1.09	1.01



# GEAX BC 110

## Transport condition



GEAX s.r.l. Via Campoceraso 13 60027 Osimo (AN) ITALY

tel. +390717131953 fax. +39071715199

[www.geax.it](http://www.geax.it) [info@geax.it](mailto:info@geax.it)

Technical specifications are subjected to change without prior notice