

EK 110 *GEAX*



MULTI-PURPOSE PILING RIG

EK110

The GEAX EK110 is a multi-purpose piling rig designed to achieve the highest levels of versatility, ease of use, manoeuvrability, transportation, production and reliability. It is configured to operate in various different piling modes including rotary kelly piling, CFA piling, diaphragm walling, soil mixing, soil displacement, jet grouting, vibro and hydraulic hammer. As most of the components are modular, the conversion from one mode to another is extremely simple and fast.

The GEAX EK110's outstanding production capability is comparable to machines of a much larger size. Its excellent stability allows easy manoeuvrability on job sites and ensures fast and safe operating movements. Its compactness and low weight allows easy transportation without special permits.

The JCB JS210 NLC base carrier, constructed to GEAX specifications, ensures excellent reliability and maintenance with operator cabin comfort not available on proprietary machines. Available with fixed 2.5m, 3m or expandable tracks width.

The GEAX EK110 (in common with other GEAX machines) has an articulation structure similar to a normal excavator with a long boom supporting the mast. This allows a wide range of mast positioning and independent adjustment of the vertical position of the mast. Wire rope positions are not dependent on the position of the mast as the winches are mounted on the mast itself. This design, compared to other machines, usually with parallelogram type mast supports, ensures the following:

- Excellent rigidity and lightness
- Fast setup time
- Simpler maintenance
- More precise movements
- Wide range of tool positioning
- Better visibility for the operator

Electronic devices

EK series machines are equipped with an electronic system which controls and displays several functions and parameters.

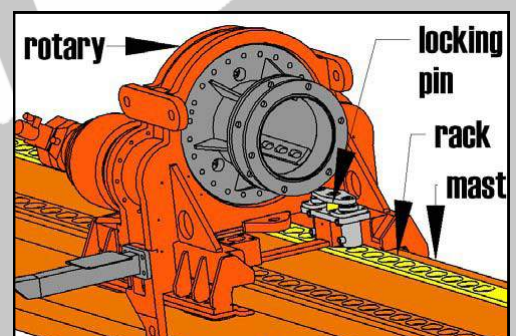
- Automatic alignment of the mast
- Mast inclination display
- Depth measuring device
- Pressure gauge for an auxiliary input

A GPS system enables GEAX owners to monitor and manage their machines remotely by a PC connected to the Internet

BPS patented crowd system for CFA piling

The pull-down system type BPS is GEAX's patented crowd system for CFA piling, providing a mechanical locking system between the rotary head and the mast which creates a crowd force on the auger and the crowd force is available along the entire length of the mast.

The pull-down system is activated only when needed by the operator and requires no pulleys or ropes.

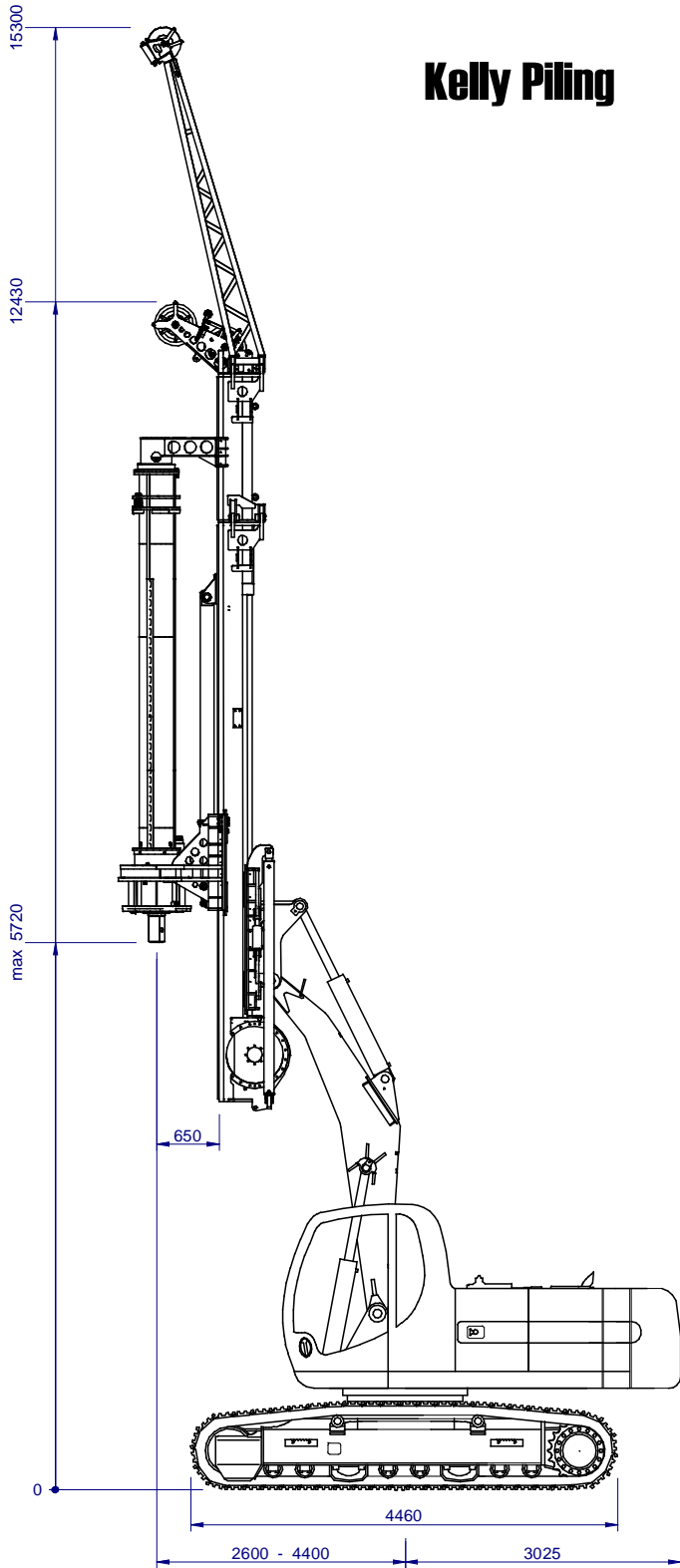


www.geax.it

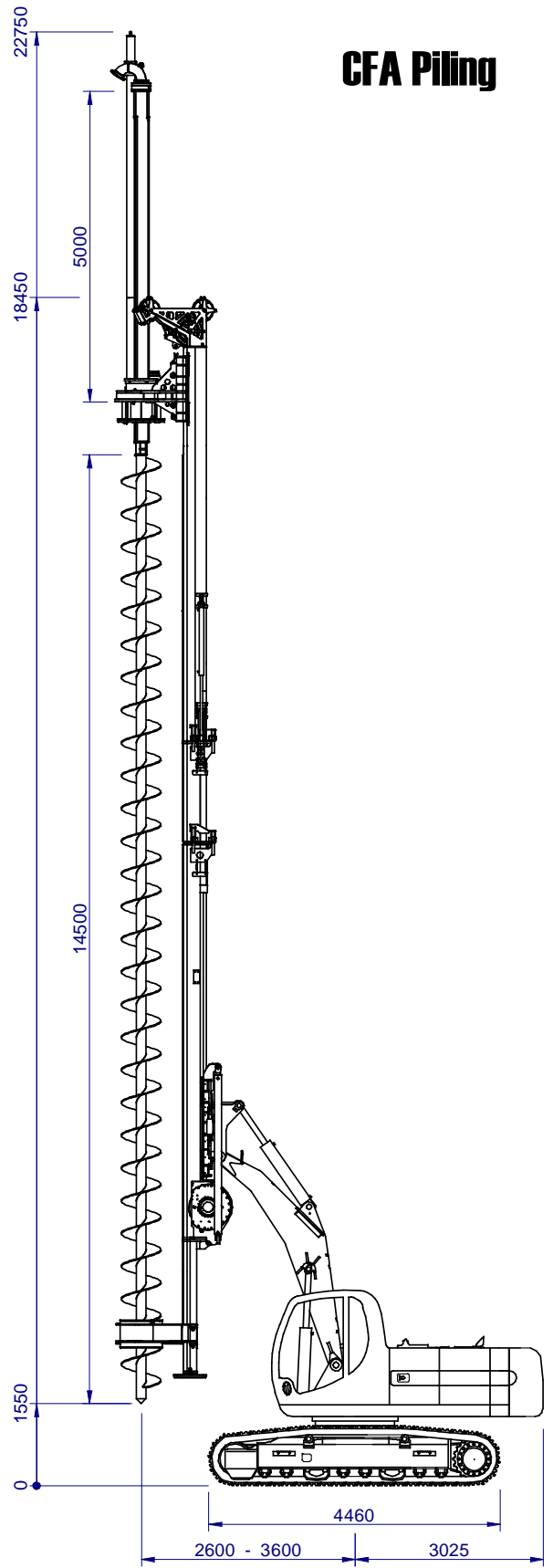
info@geax.it

EK110

Kelly Piling



CFA Piling



MULTI-PURPOSE PILING RIG

Technical features

Base JCB		JS210 NLC	
Engine	type	JCB Ecomax 448 Tier4i	
Engine power	Kw - hp	126 - 172	
Undercarriage length	mm - ft	4460 - 12,9	
Undercarriage width	mm - ft	2490 - 8,25	
Shoe width	mm - in	500 - 19,7	
Hydraulic system			
Main pumps	l/min	2x214	
Auxiliary pump	l/min	2x20.5	
Hydraulic pressure	bar	320	
Rotary		EK110 P	EK110 CFA
Nominal torque	kNm - lbs ft	110 - 81.100	
Drilling speed (3)	rpm	6÷80	
Rotary+mast stroke	mm - ft	4250 - 13,9	14500 - 47,6
Winches			
Main winch line pull	kN - lbs	120 - 27.000	360 - 81.000
Main winch rope diameter	mm - in	22 - 0,86	20 - 0,78
Aux winch line pull	kN - lbs	37 - 8.300	
Aux winch rope diameter	mm - in	14 - 0,55	
Crowd system			
Pull down force	kN - lbs	150 - 33.750	
Extraction force	kN - lbs	180 - 40.500	
Excavation			
Max pile diameter	mm - in	1800 - 72	800 - 32
Max pile depth	m - ft	31 - 102	20 - 65,6
Transport			
Length (A)	mm - ft	10500 - 34,5	
Width	mm - ft	2490 - 8,25	
Height	mm - ft	3050 - 10	
Weight	t - lbs	30 - 66.100	

